

# **CMSC 411**

## **Instruction-level Parallelism, Dynamic Pipeline Scheduling**

Slides courtesy Patterson & Hennessey

# Instruction-Level Parallelism (ILP)

- Pipelining: executing multiple instructions in parallel
- To increase ILP
  - Deeper pipeline
    - Less work per stage  $\Rightarrow$  shorter clock cycle
  - Multiple issue
    - Replicate pipeline stages  $\Rightarrow$  multiple pipelines
    - Start multiple instructions per clock cycle
    - $CPI < 1$ , so use Instructions Per Cycle (IPC)
    - E.g., 4GHz 4-way multiple-issue
      - 16 BIPS, peak  $CPI = 0.25$ , peak  $IPC = 4$
    - But dependencies reduce this in practice

# Multiple Issue

- Static multiple issue
  - Compiler groups instructions to be issued together
  - Packages them into “issue slots”
  - Compiler detects and avoids hazards
- Dynamic multiple issue
  - CPU examines instruction stream and chooses instructions to issue each cycle
  - Compiler can help by reordering instructions
  - CPU resolves hazards using advanced techniques at runtime

# Speculation

- “Guess” what to do with an instruction
  - Start operation as soon as possible
  - Check whether guess was right
    - If so, complete the operation
    - If not, roll-back and do the right thing
- Common to static and dynamic multiple issue
- Examples
  - Speculate on branch outcome
    - Roll back if path taken is different
  - Speculate on load
    - Roll back if location is updated

# Compiler/Hardware Speculation

- Compiler can reorder instructions
  - e.g., move load before branch
  - Can include “fix-up” instructions to recover from incorrect guess
- Hardware can look ahead for instructions to execute
  - Buffer results until it determines they are actually needed
  - Flush buffers on incorrect speculation

# Speculation and Exceptions

- What if exception occurs on a speculatively executed instruction?
  - e.g., speculative load before null-pointer check
- Static speculation
  - Can add ISA support for deferring exceptions
- Dynamic speculation
  - Can buffer exceptions until instruction completion (which may not occur)

# Static Multiple Issue

- Compiler groups instructions into “issue packets”
  - Group of instructions that can be issued on a single cycle
  - Determined by pipeline resources required
- Think of an issue packet as a very long instruction
  - Specifies multiple concurrent operations
  - ⇒ Very Long Instruction Word (VLIW)

# Scheduling Static Multiple Issue

- Compiler must remove some/all hazards
  - Reorder instructions into issue packets
  - No dependencies with a packet
  - Possibly some dependencies between packets
    - Varies between ISAs; compiler must know!
  - Pad with nop if necessary

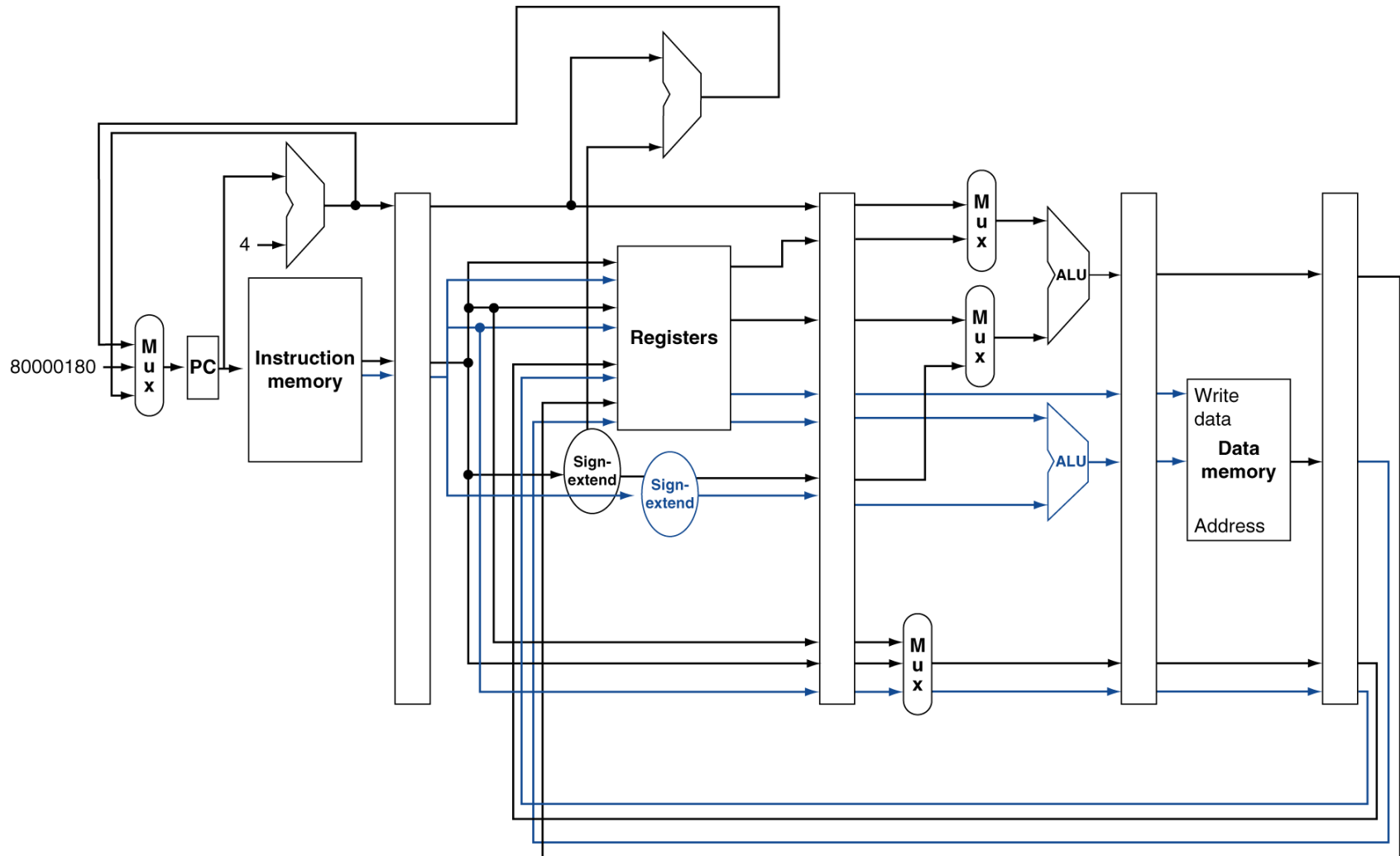


# MIPS with Static Dual Issue

- Two-issue packets
  - One ALU/branch instruction
  - One load/store instruction
  - 64-bit aligned
    - ALU/branch, then load/store
    - Pad an unused instruction with nop

Address	Instruction type	Pipeline Stages						
n	ALU/branch	IF	ID	EX	MEM	WB		
n + 4	Load/store	IF	ID	EX	MEM	WB		
n + 8	ALU/branch		IF	ID	EX	MEM	WB	
n + 12	Load/store		IF	ID	EX	MEM	WB	
n + 16	ALU/branch			IF	ID	EX	MEM	WB
n + 20	Load/store			IF	ID	EX	MEM	WB

# MIPS with Static Dual Issue



# Hazards in the Dual-Issue MIPS

- More instructions executing in parallel
- EX data hazard
  - Forwarding avoided stalls with single-issue
  - Now can't use ALU result in load/store in same packet
    - `add $t0, $s0, $s1`  
`load $s2, 0($t0)`
    - Split into two packets, effectively a stall
- Load-use hazard
  - Still one cycle use latency, but now two instructions
- More aggressive scheduling required

# Scheduling Example

- Schedule this for dual-issue MIPS

```
Loop: lw    $t0, 0($s1)      # $t0=array element
      addu  $t0, $t0, $s2    # add scalar in $s2
      sw    $t0, 0($s1)      # store result
      addi  $s1, $s1, -4     # decrement pointer
      bne   $s1, $zero, Loop # branch $s1!=0
```

	ALU/branch	Load/store	cycle
Loop:	nop	lw \$t0, 0(\$s1)	1
	addi \$s1, \$s1, -4	nop	2
	addu \$t0, \$t0, \$s2	nop	3
	bne \$s1, \$zero, Loop	sw \$t0, 4(\$s1)	4

- $IPC = 5/4 = 1.25$  (c.f. peak  $IPC = 2$ )

# Loop Unrolling

- Replicate loop body to expose more parallelism
  - Reduces loop-control overhead
- Use different registers per replication
  - Called “register renaming”
  - Avoid loop-carried “anti-dependencies”
    - Store followed by a load of the same register
    - Aka “name dependence”
      - Reuse of a register name

# Loop Unrolling Example

	ALU/branch	Load/store	cycle
Loop:	addi \$s1, \$s1, -16	lw \$t0, 0(\$s1)	1
	nop	lw \$t1, 12(\$s1)	2
	addu \$t0, \$t0, \$s2	lw \$t2, 8(\$s1)	3
	addu \$t1, \$t1, \$s2	lw \$t3, 4(\$s1)	4
	addu \$t2, \$t2, \$s2	sw \$t0, 16(\$s1)	5
	addu \$t3, \$t4, \$s2	sw \$t1, 12(\$s1)	6
	nop	sw \$t2, 8(\$s1)	7
	bne \$s1, \$zero, Loop	sw \$t3, 4(\$s1)	8

- $IPC = 14/8 = 1.75$ 
  - Closer to 2, but at cost of registers and code size

# Dynamic Multiple Issue

- “Superscalar” processors
- CPU decides whether to issue 0, 1, 2, ... each cycle
  - Avoiding structural and data hazards
- Avoids the need for compiler scheduling
  - Though it may still help
  - Code semantics ensured by the CPU

# Dynamic Pipeline Scheduling

- Allow the CPU to execute instructions out of order to avoid stalls
  - But commit result to registers in order

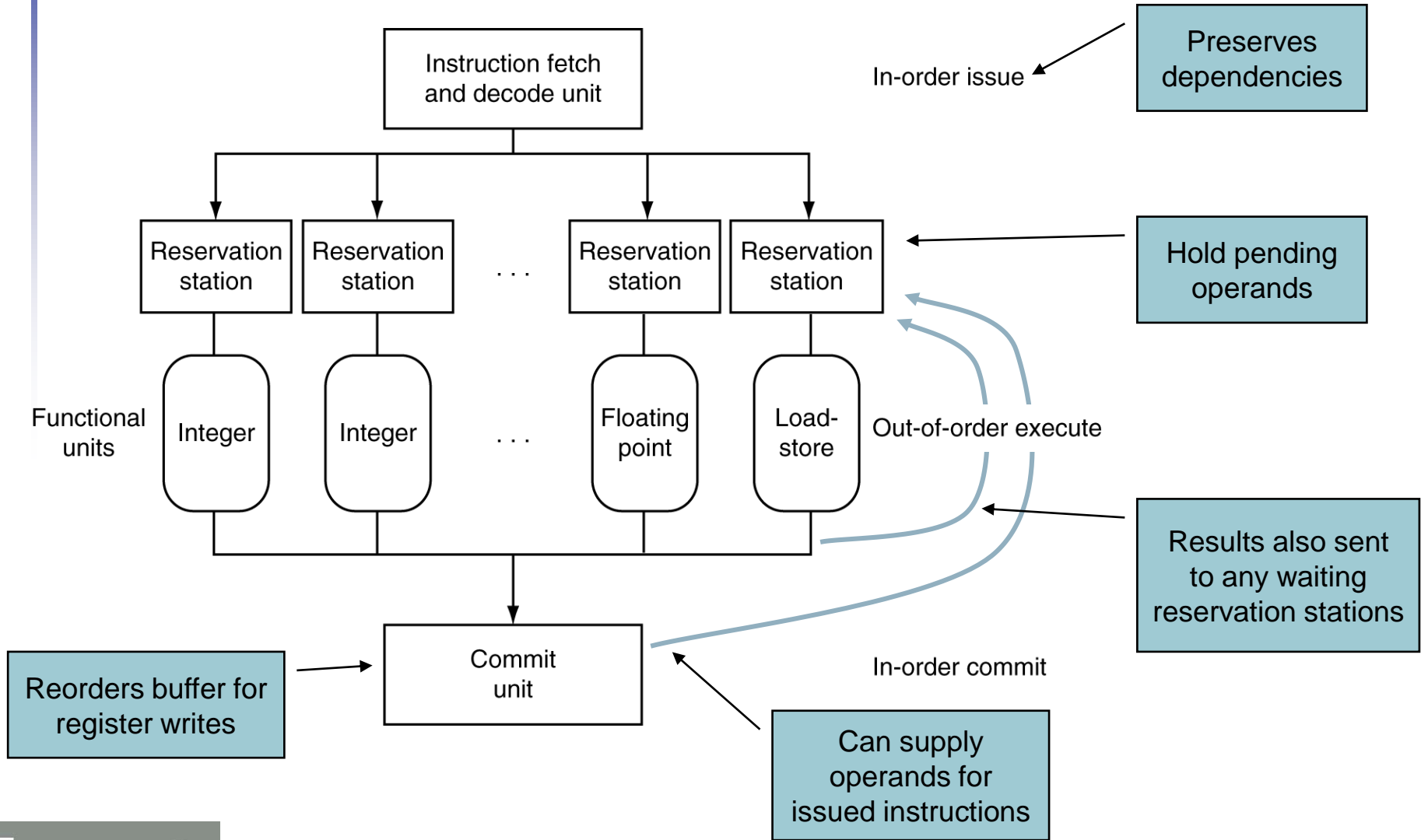
- Example

```
lw      $t0, 20($s2)
addu   $t1, $t0, $t2
sub    $s4, $s4, $t3
slti   $t5, $s4, 20
```

- Can start sub while addu is waiting for lw



# Dynamically Scheduled CPU



# Register Renaming

- Reservation stations and reorder buffer effectively provide register renaming
- On instruction issue to reservation station
  - If operand is available in register file or reorder buffer
    - Copied to reservation station
    - No longer required in the register; can be overwritten
  - If operand is not yet available
    - It will be provided to the reservation station by a function unit
    - Register update may not be required

# Speculation

- Predict branch and continue issuing
  - Don't commit until branch outcome determined
- Load speculation
  - Avoid load and cache miss delay
    - Predict the effective address
    - Predict loaded value
    - Load before completing outstanding stores
    - Bypass stored values to load unit
  - Don't commit load until speculation cleared

# Why Do Dynamic Scheduling?

- Why not just let the compiler schedule code?
- Not all stalls are predicable
  - e.g., cache misses
- Can't always schedule around branches
  - Branch outcome is dynamically determined
- Different implementations of an ISA have different latencies and hazards

# Does Multiple Issue Work?

## The BIG Picture

- Yes, but not as much as we'd like
- Programs have real dependencies that limit ILP
- Some dependencies are hard to eliminate
  - e.g., pointer aliasing
- Some parallelism is hard to expose
  - Limited window size during instruction issue
- Memory delays and limited bandwidth
  - Hard to keep pipelines full
- Speculation can help if done well

# Power Efficiency

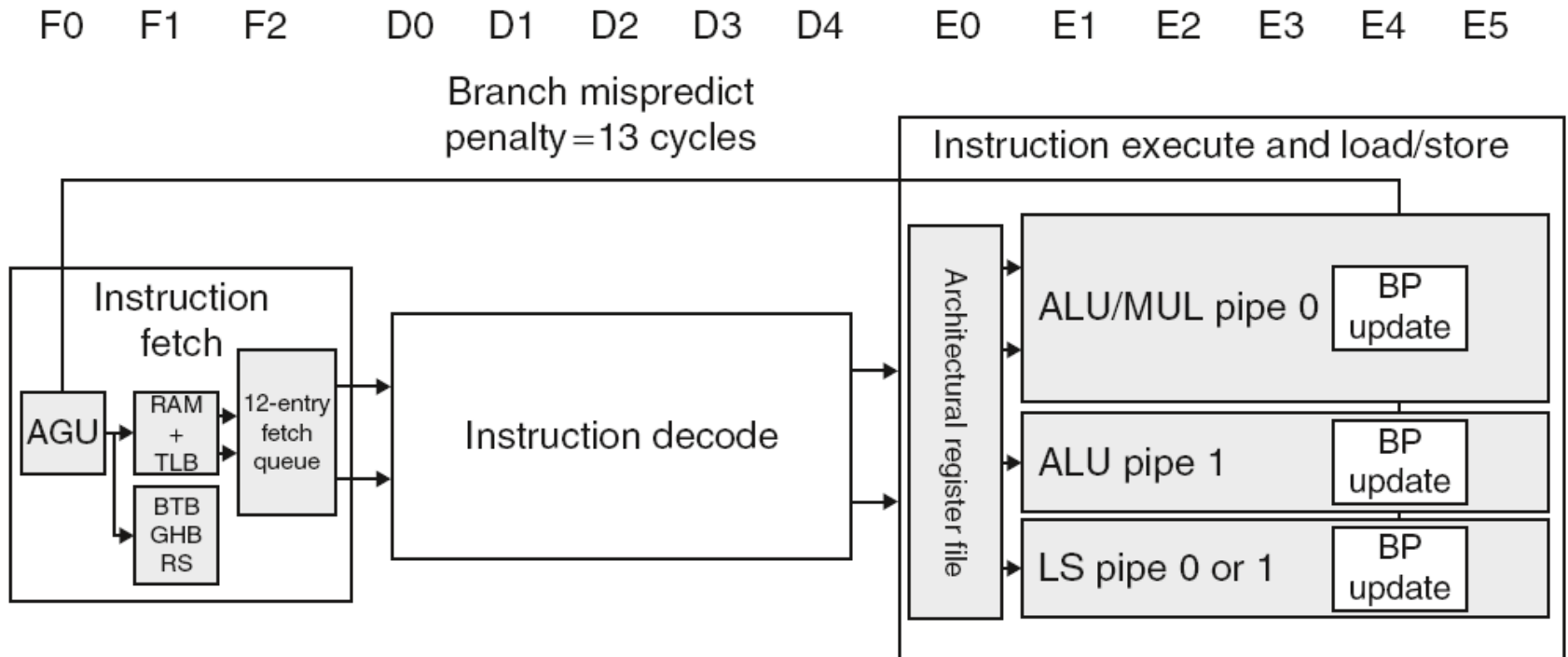
- Complexity of dynamic scheduling and speculations requires power
- Multiple simpler cores may be better

Microprocessor	Year	Clock Rate	Pipeline Stages	Issue width	Out-of-order/ Speculation	Cores	Power
i486	1989	25MHz	5	1	No	1	5W
Pentium	1993	66MHz	5	2	No	1	10W
Pentium Pro	1997	200MHz	10	3	Yes	1	29W
P4 Willamette	2001	2000MHz	22	3	Yes	1	75W
P4 Prescott	2004	3600MHz	31	3	Yes	1	103W
Core	2006	2930MHz	14	4	Yes	2	75W
UltraSparc III	2003	1950MHz	14	4	No	1	90W
UltraSparc T1	2005	1200MHz	6	1	No	8	70W

# Cortex A8 and Intel i7

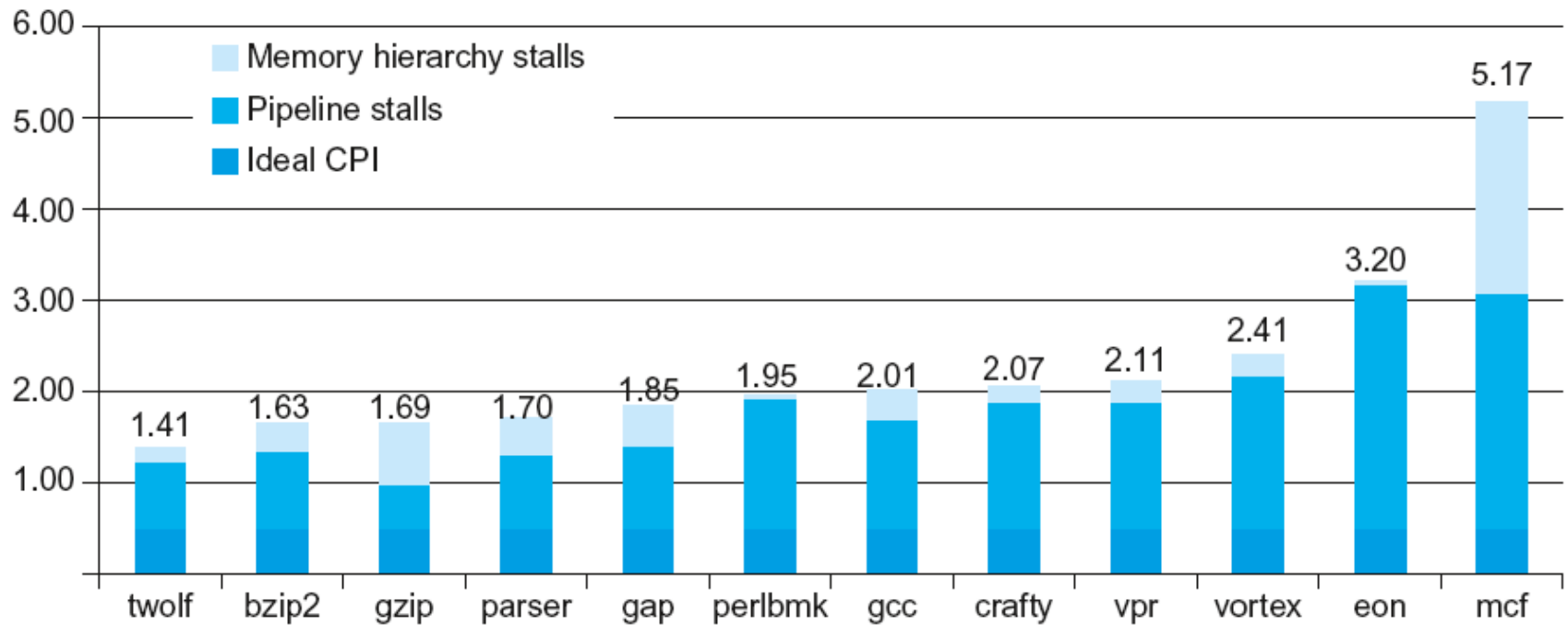
Processor	ARM A8	Intel Core i7 920
Market	Personal Mobile Device	Server, cloud
Thermal design power	2 Watts	130 Watts
Clock rate	1 GHz	2.66 GHz
Cores/Chip	1	4
Floating point?	No	Yes
Multiple issue?	Dynamic	Dynamic
Peak instructions/clock cycle	2	4
Pipeline stages	14	14
Pipeline schedule	Static in-order	Dynamic out-of-order with speculation
Branch prediction	2-level	2-level
1 <sup>st</sup> level caches/core	32 KiB I, 32 KiB D	32 KiB I, 32 KiB D
2 <sup>nd</sup> level caches/core	128-1024 KiB	256 KiB
3 <sup>rd</sup> level caches (shared)	-	2- 8 MB

# ARM Cortex-A8 Pipeline

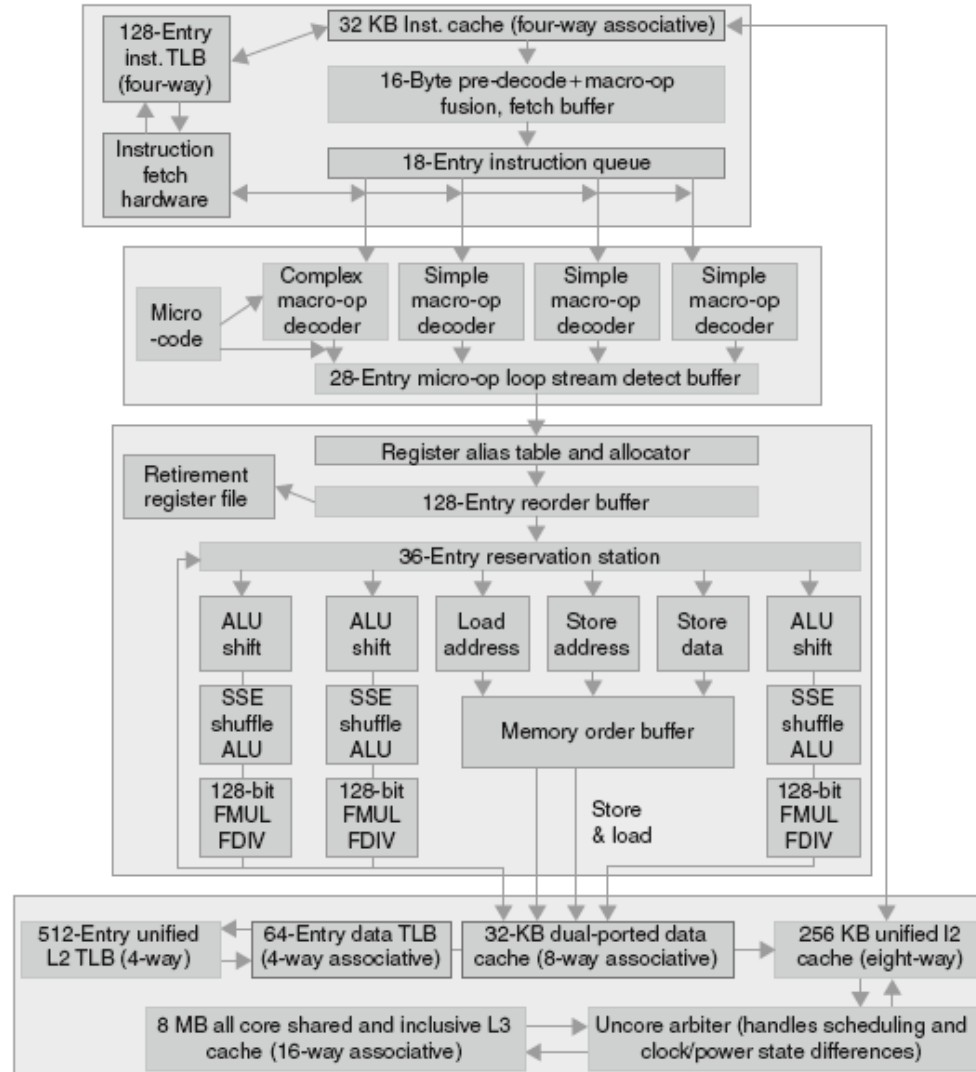




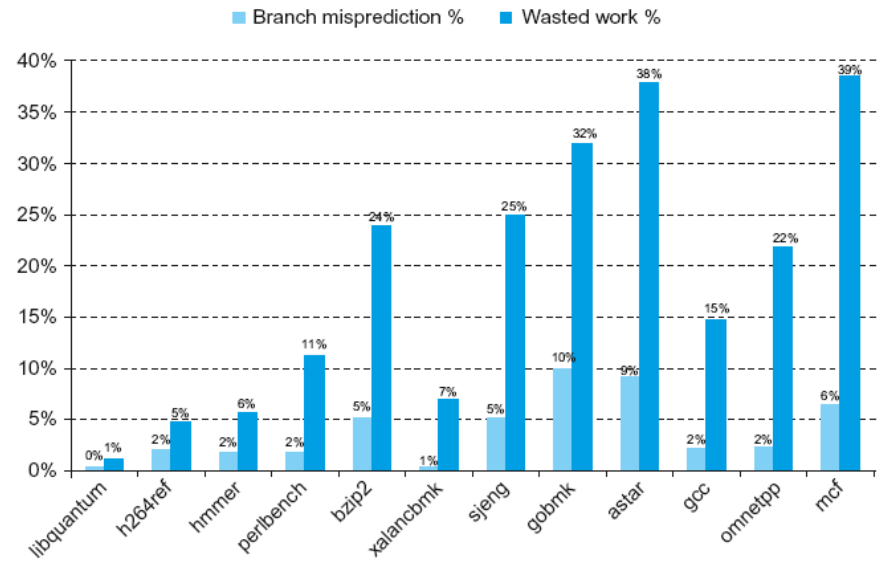
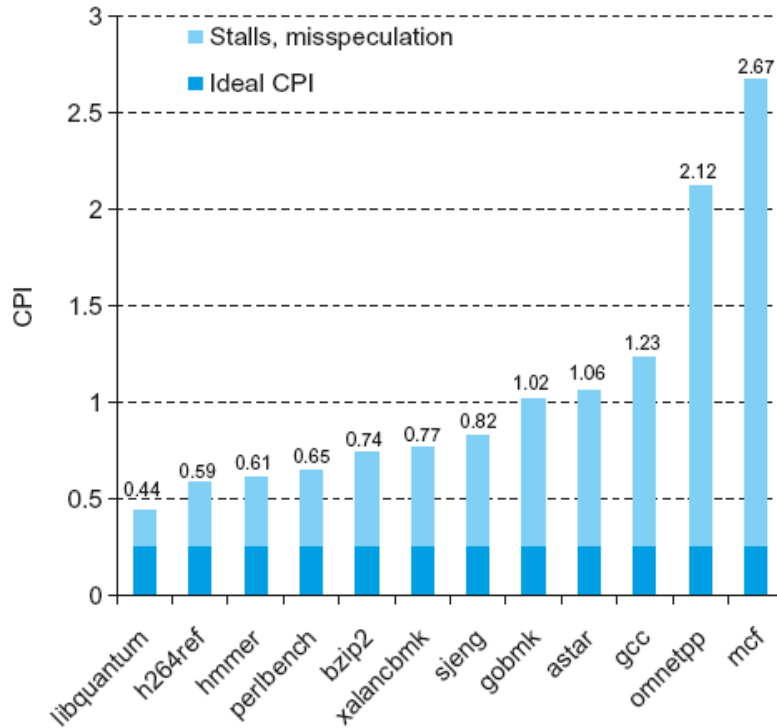
# ARM Cortex-A8 Performance



# Core i7 Pipeline



# Core i7 Performance



# Matrix Multiply

## ■ Unrolled C code

```

1 #include <x86intrin.h>
2 #define UNROLL (4)
3
4 void dgemm (int n, double* A, double* B, double* C)
5 {
6   for ( int i = 0; i < n; i+=UNROLL*4 )
7     for ( int j = 0; j < n; j++ ) {
8       __m256d c[4];
9       for ( int x = 0; x < UNROLL; x++ )
10        c[x] = _mm256_load_pd(C+i+x*4+j*n);
11
12      for( int k = 0; k < n; k++ )
13      {
14        __m256d b = _mm256_broadcast_sd(B+k+j*n);
15        for (int x = 0; x < UNROLL; x++)
16          c[x] = _mm256_add_pd(c[x],
17                               _mm256_mul_pd(_mm256_load_pd(A+n*k+x*4+i), b));
18      }
19
20      for ( int x = 0; x < UNROLL; x++ )
21        _mm256_store_pd(C+i+x*4+j*n, c[x]);
22    }
23 }

```

# Matrix Multiply

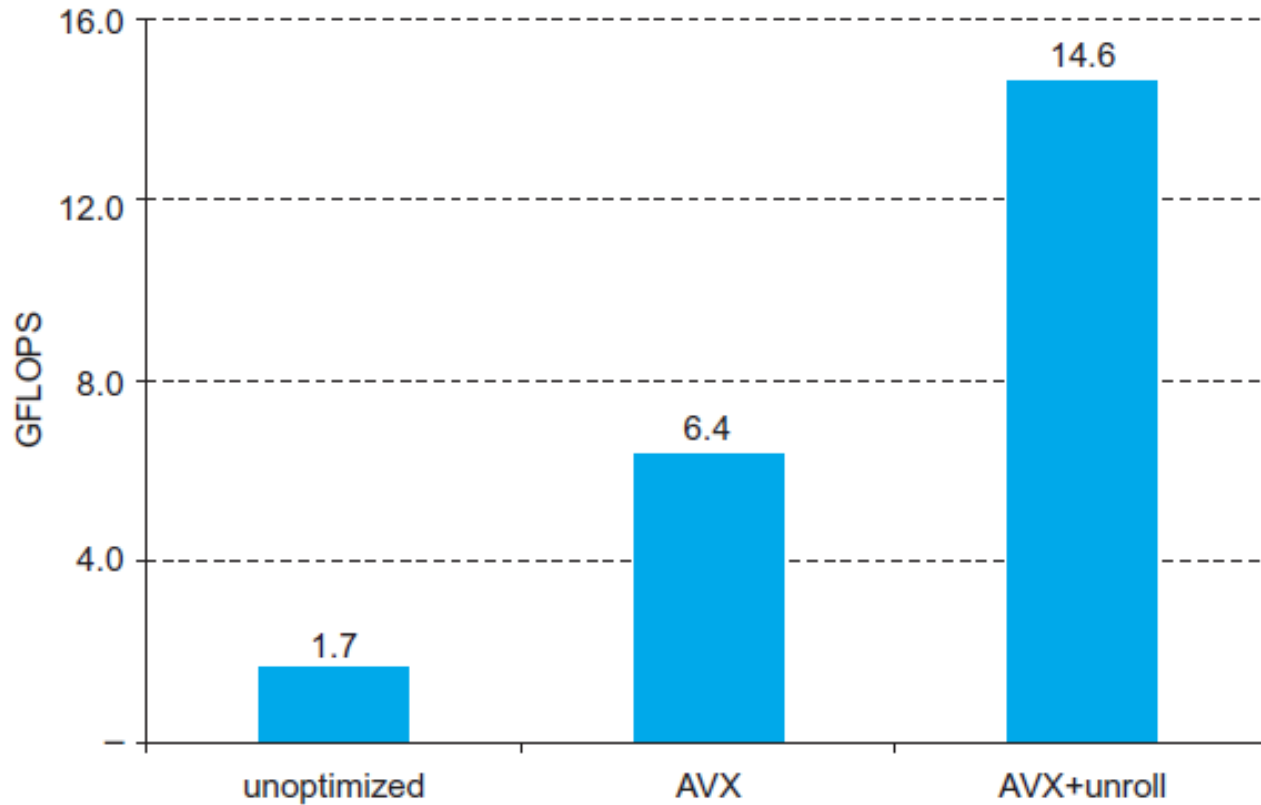
## ■ Assembly code:

```

1 vmovapd (%r11),%ymm4           # Load 4 elements of C into %ymm4
2 mov %rbx,%rax                  # register %rax = %rbx
3 xor %ecx,%ecx                  # register %ecx = 0
4 vmovapd 0x20(%r11),%ymm3       # Load 4 elements of C into %ymm3
5 vmovapd 0x40(%r11),%ymm2       # Load 4 elements of C into %ymm2
6 vmovapd 0x60(%r11),%ymm1       # Load 4 elements of C into %ymm1
7 vbroadcastsd (%rcx,%r9,1),%ymm0 # Make 4 copies of B element
8 add $0x8,%rcx # register %rcx = %rcx + 8
9 vmulpd (%rax),%ymm0,%ymm5       # Parallel mul %ymm1,4 A elements
10 vaddpd %ymm5,%ymm4,%ymm4        # Parallel add %ymm5, %ymm4
11 vmulpd 0x20(%rax),%ymm0,%ymm5   # Parallel mul %ymm1,4 A elements
12 vaddpd %ymm5,%ymm3,%ymm3        # Parallel add %ymm5, %ymm3
13 vmulpd 0x40(%rax),%ymm0,%ymm5   # Parallel mul %ymm1,4 A elements
14 vmulpd 0x60(%rax),%ymm0,%ymm0   # Parallel mul %ymm1,4 A elements
15 add %r8,%rax                    # register %rax = %rax + %r8
16 cmp %r10,%rcx                  # compare %r8 to %rax
17 vaddpd %ymm5,%ymm2,%ymm2        # Parallel add %ymm5, %ymm2
18 vaddpd %ymm0,%ymm1,%ymm1        # Parallel add %ymm0, %ymm1
19 jne 68 <dgemm+0x68>             # jump if not %r8 != %rax
20 add $0x1,%esi                  # register % esi = % esi + 1
21 vmovapd %ymm4, (%r11)           # Store %ymm4 into 4 C elements
22 vmovapd %ymm3,0x20(%r11)        # Store %ymm3 into 4 C elements
23 vmovapd %ymm2,0x40(%r11)        # Store %ymm2 into 4 C elements
24 vmovapd %ymm1,0x60(%r11)        # Store %ymm1 into 4 C elements

```

# Performance Impact



# Fallacies

- Pipelining is easy (!)
  - The basic idea is easy
  - The devil is in the details
    - e.g., detecting data hazards
- Pipelining is independent of technology
  - So why haven't we always done pipelining?
  - More transistors make more advanced techniques feasible
  - Pipeline-related ISA design needs to take account of technology trends
    - e.g., predicated instructions

# Pitfalls

- Poor ISA design can make pipelining harder
  - e.g., complex instruction sets (VAX, IA-32)
    - Significant overhead to make pipelining work
    - IA-32 micro-op approach
  - e.g., complex addressing modes
    - Register update side effects, memory indirection
  - e.g., delayed branches
    - Advanced pipelines have long delay slots



# Concluding Remarks

- ISA influences design of datapath and control
- Datapath and control influence design of ISA
- Pipelining improves instruction throughput using parallelism
  - More instructions completed per second
  - Latency for each instruction not reduced
- Hazards: structural, data, control
- Multiple issue and dynamic scheduling (ILP)
  - Dependencies limit achievable parallelism
  - Complexity leads to the power wall